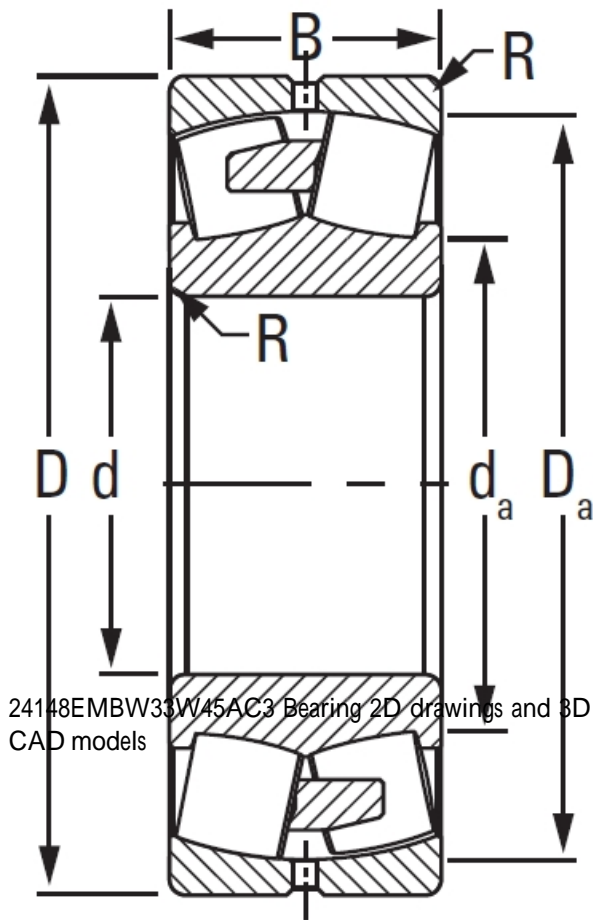




NTN PRECISION AXLE CORP.

Timken 24148EMBW33W45AC3 Spherical Roller Bearings

Bearing No. 24148EMBW33W45AC3



24148EMBW33W45AC3 Bearing 2D drawings and 3D CAD models

Design Unit	METRIC
Bearing Weight	80.5 Kg
Cage Type	EMB
UPC Code	087796143111
Cage Material	Brass
Superseded Part	24148YMBW33W45AC3
d	240.000 mm
D	400.000 mm
B - Inner Ring Width	160 mm
B - Outer Ring Width	160.000 mm
R - Inner Ring To Clear Radius ¹	3.0 mm
r - Outer Ring To Clear Radius ²	3.0 mm
da - Inner Ring Backing Diameter	270.000 mm
Da - Outer Ring Backing Diameter	364.000 mm
C0 - Static Radial Rating	4050000 N
C1(2) - Dynamic Radial Rating (Two-Rows)	2690000 N
e - ISO Factor ³	0.37
Y0 - ISO Factor ⁴	1.8
Y1 - ISO Factor ⁵	2.68
Y2 - ISO Factor ⁶	1.76
Reference Thermal Speed Rating (Grease)	610



NTN PRECISION AXLE CORP.

Reference Thermal Speed Rating (Oil) ⁷	650
Cg - Geometry Factor ⁸	0.1086