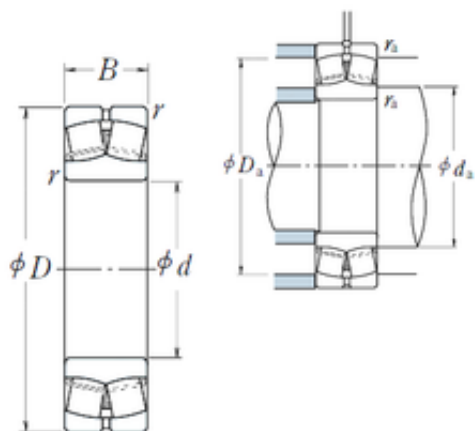




NTN PRECISION AXLE CORP.



NSK 22218eae4 Bearing

Bearing No. 22218eae4

Size	90x160x40 mm
Bore Diameter	90 mm
Outer Diameter	160 mm
Width	40 mm
d	90 mm
D	160 mm
B	40 mm
C	40 mm
r min.	2 mm
da min.	100 mm
da max	108 mm
Da min	142 mm
Da max.	150 mm
ra max.	2 mm
Weight	3,3 Kg
Basic dynamic load rating (C)	289 kN
Basic static load rating (C0)	395 kN
(Grease) Lubrication Speed	2800 r/min
(Oil) Lubrication Speed	3600 r/min
Calculation factor (e)	0,24
Calculation factor (Y0)	2,8
Calculation factor (Y2)	4,3
Category	Spherical Roller Bearings
Inventory	0.0
Manufacturer Name	NSK
Minimum Buy Quantity	N/A

22218eae4 Bearing 2D drawings and 3D CAD models



NTN PRECISION AXLE CORP.

Weight / Kilogram	3.4
EAN	0029176411380
Product Group	B04311
Internal Clearance	C0-Medium
Mounting Method	Shaft Mount
Rolling Element	Spherical Roller Bearing
Bore Profile	Straight
Cage Material	Steel
Enclosure	Open
Number of Rows of Rollers	Double Row
Relubricatable	Yes
Withdrawal Sleeve	Not Applicable
Inch - Metric	Metric
Long Description	90MM Straight Bore; 160MM Outside Diameter; 40MM Width; C0-Medium Clearance; Shaft Mount; Double Row of Spherical Roller Bearings; Steel Cage Material; Open Enclosure; Relubricatable
Category	Spherical Roller Bearing
UNSPSC	31171510
Harmonized Tariff Code	84823080
Noun	Bearing
Keyword String	Spherical
Manufacturer URL	http://www.nskamericas.com
Manufacturer Item Number	22218EAE4
Weight / LBS	3.4
Width	1.575 Inch 40 Millimeter
Outside Diameter	6.299 Inch 160 Millimeter
Adapter Part Number	Not Applicable Inch Not Applicable Millimeter
Bore	3.543 Inch 90 Millimeter



NTN PRECISION AXLE CORP.

bore diameter:	90 mm
maximum rpm:	4000 RPM
outside diameter:	160 mm
operating temperature range:	Maximum of +200 ° C
overall width:	40 mm
cage material:	Steel
bore type:	Straight
bearing material:	Steel
outer ring type:	Not Split
cage type:	Roller Guided
internal clearance:	C0
precision rating:	RBEC 1 (ISO Class Normal)
closure type:	Open
finish/coating:	Uncoated
lubrication hole type:	Lubrication Groove & Hole
outer ring width:	40 mm
dynamic load capacity:	360000 N
fillet radius:	2 mm
static load capacity:	395000 N
series:	222
Y3	2.9
hidYobi	22218EAE4
LangID	1
Y1	2.9
D_	160
Y2	4.3
Macha rpm	5000
B_	40
da min	100
hidTable	ecat_NSSPHR
Oil rpm	4000



NTN PRECISION AXLE CORP.

Y0	2.8
mass	3.3
GRS rpm	3200
ra	2
TSR rpm	3800
C0	395
DE_	145.223
X0	1
Prod_Type3	SRB_CTB_CB
X1	1
X2	0.67
SIR	15.9
e	0.24
DA_	17.83
bomp	22218EAE4
Z_	20
ALP2	55
ALP1	8
ALP3	0
D_a max	150
D_a min	142
yobi	22218EAE4
HPS	HPS
ALPHA_	0.156
SDM_	127.609
r	2
KBRG	2328
SBRG	22
DI_	109.994